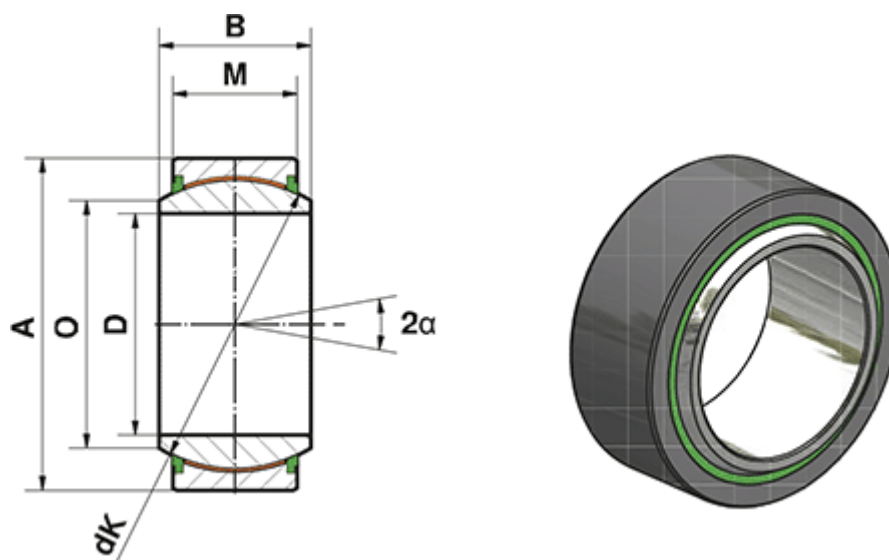


Article number: 03445070

Description: Fluro Heavy Duty Spherical Plain Bearing GE 70 EW-2RS
Hole \varnothing 70

Note: 70

Measures



A	= 105	Static load C0 (kN) = 1472
a (degrees)	= 6	Weight (g) = 1500
B	= 49	
D	= 70	
dk	= 92	
Dynamic load C (kN)	= 883	
M	= 40	
O	= 77.8	